

# BALMORAL SUBSEA TEST CENTRE

## Test vessels TC4-15

<b>Safe working pressure</b>	TC4-9 413 bar TC10-15 700bar
<b>Orientation</b>	Vertical
<b>Max internal diameter</b>	500mm
<b>Max internal length</b>	2,500mm
<b>Test medium</b>	Fresh water
<b>Working temperature</b>	TC4-9 Ambient TC10-11 Ambient – 50°C TC12-15 Ambient (ice can be added for reduced temperature testing)
<b>Penetrator quantity</b>	2
<b>Penetrator ID</b>	60mm
<b>Max pressurisation rate</b>	15bar/minute approx

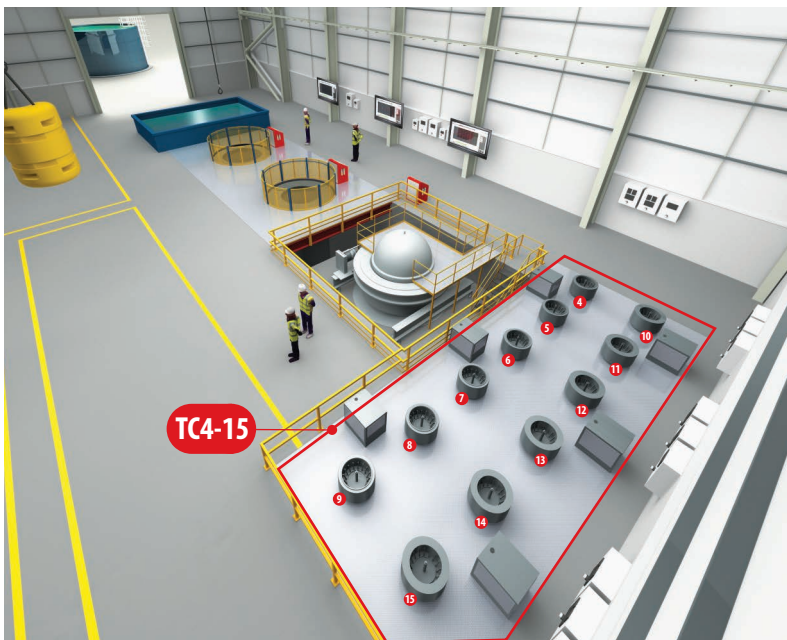
Handling is carried out by 40t, 20t and 5t overhead cranes. Forklifts up to 9t are available on-site. The Subsea Test Centre has a wide range of standard slings, shackles etc.

Penetrator ports are fitted with custom blanks. These can be adapted for mounting bulkhead connectors, hydraulic ports, etc. Balmoral can supply blanks to be machined to requirements. Custom penetrators can be considered.

Pressure is provided by air driven test pumps and pressure can be maintained automatically. Pressure and temperature readings are fed back to a networked server. A pressure relief valve is fitted to protect the vessel.

Standard 110 and 220 volt electrical supplies are close by along with 16, 32 and 64 amp 3 phase. Workshop air is also available

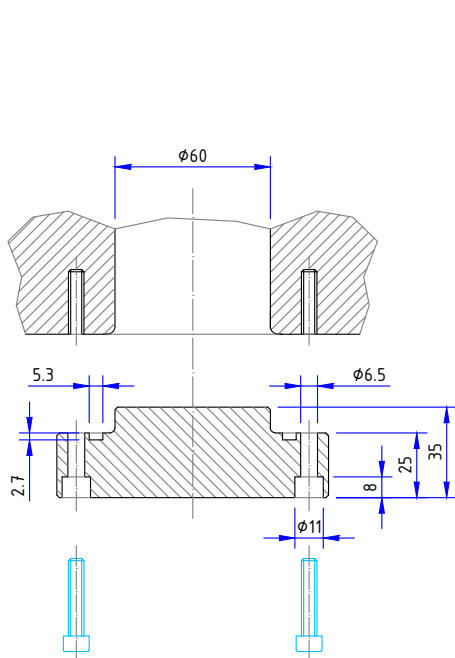
A pan and tilt subsea camera is available for use inside the vessel



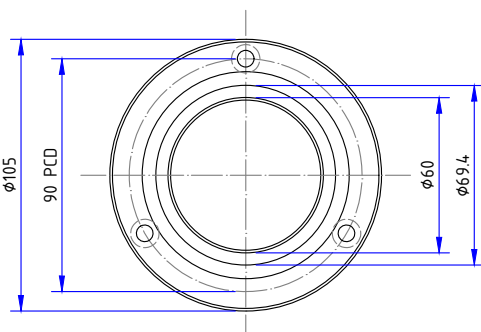
# BALMORAL SUBSEA TEST CENTRE

## Test vessel TC4-15

## Dimensions

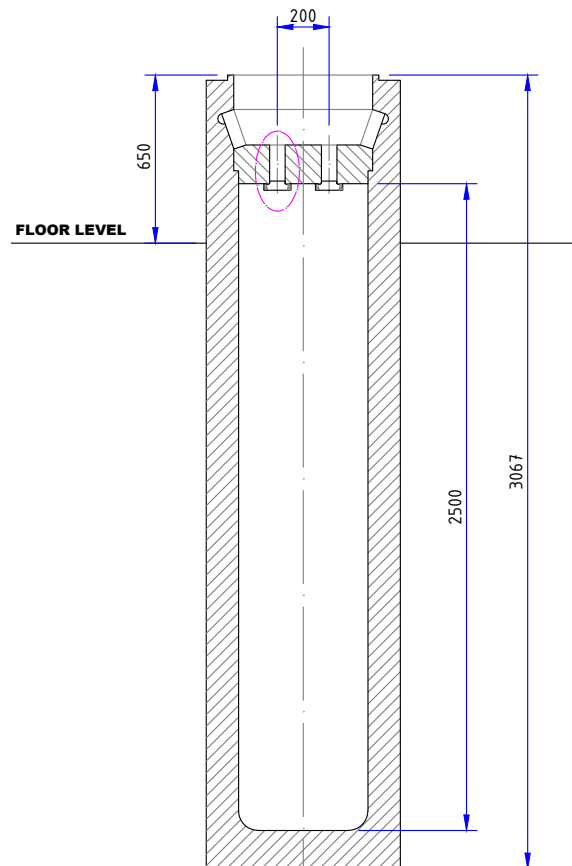


**EXPLODED SECTION**

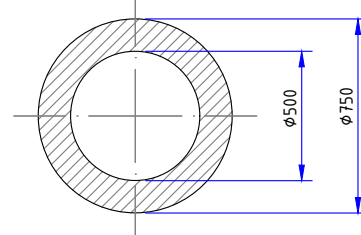


**PLAN VIEW**

**PORT ADAPTOR DETAIL**



**CROSS SECTION**



**SECTIONAL PLAN VIEW**

# BALMORAL SUBSEA TEST CENTRE

## Test vessel TC4-15

## Cutaway section through test centre

